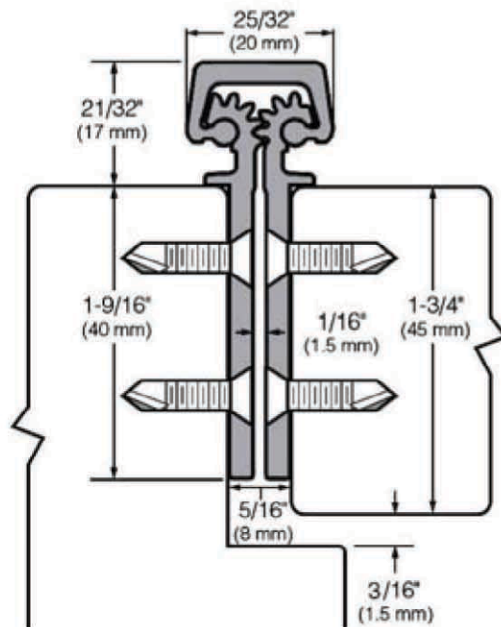


GSH HD112 ALUM. GEARED HINGE



GallerySpecialty.com
1.800.267.1236



- Aluminum alloy with self-lubricating bearings
- Can be used with any Standard Frame Without hinge preps
- 83" length available in clear and dark bronze anodized
- Hinges are shorter than the Door height to avoid threshold or carpet Clearance problems
- Clearance required between the hinge edge of the Door and the Frame is $5/16"$ (7.9mm) minimum for square edge Door. for beveled Doors add $1/32"$ (0.8mm)
- For $1-3/4"$ Doors. 48" maximum Door width. Up to 200 pounds high frequency and 400 pounds for medium frequency Doors.
- UL tested and approved for 90 minutes

676 Petrolia Road, Toronto, ON, Canada M3J 2V2
Tel: 416.667.9593 Fax: 416.667.0806
Email: info@galleryspecialty.com

All product specifications are subject to change. For the most updated product features, contact our customer service department Toll Free at 1.800.267.1236

©2019 Gallery Specialty Hardware Ltd.